



## Lock Up Valve TS200 Series

- High accuracy
- Insensitive to Vibrations
- Low and high ambient temperature
- Small dimension and light weight

# Lock Up Valve TS200 Series

## Description

The pneumatic Lock Up Valve TS200 series shuts off the signal pressure line either when the air supply falls below an adjusted value or upon complete air supply failure. This causes the actuator to remain in its last position.



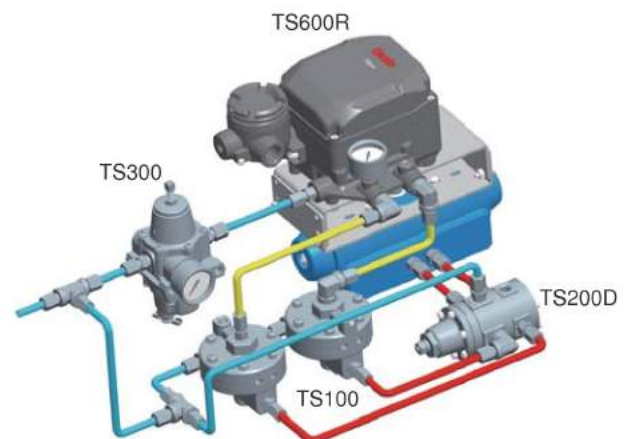
## Features

- + Quick Response and high precision
- + Easy set-up of lock up air pressure
- + Small size and light weight
- + Options available (High & Low Temperature)

## Installation examples



Single actuator



Double actuator

# Lock Up Valve TS200 Series

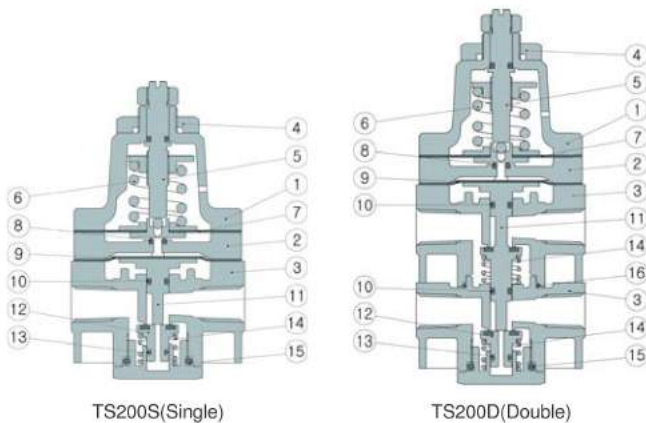
## Specifications

Model	TS200S	TS200D
Signal pressure	0.14~0.7MPa	
Max supply pressure	1MPa	
Max lock up pressure	0.7MPa	
Differential pressure	Below 0.01MPa	
Flow capacity(CV)	0.9	
Signal connection	NPT1/4, PT1/4	
In/Out connection	NPT1/4, PT1/4	
Operating temperature	-20°C~70 °C (Standard type)	
Material	Alumium die cast	
Weight	0.45kg	0.63kg

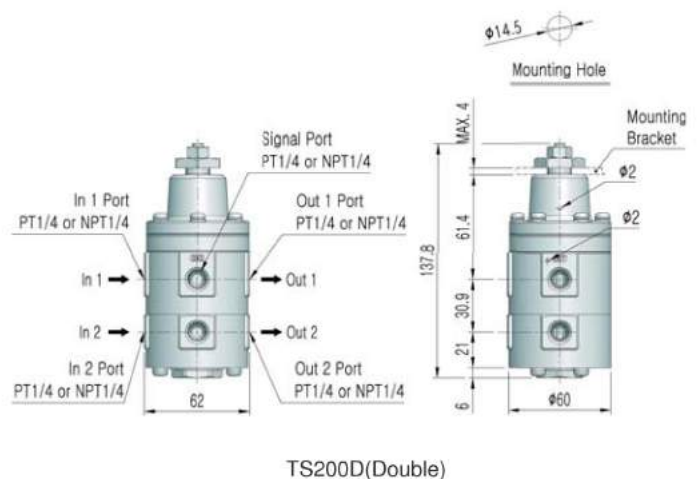
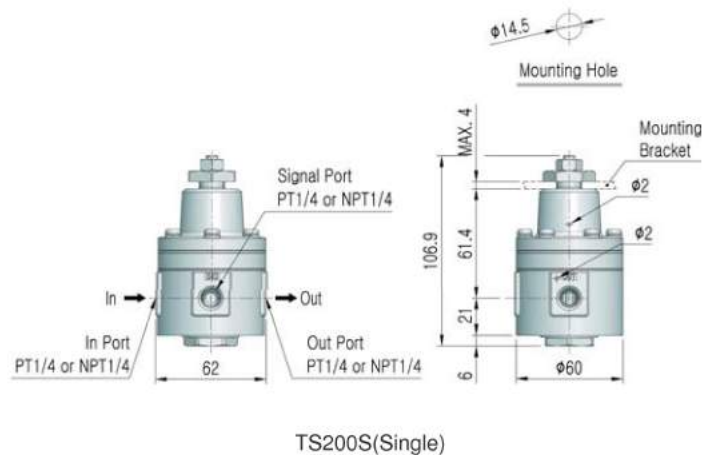
## Product number

Model	TS200			
Acting type	Single	S		
	Double	D		
Air connection	NPT1/4		N	
	PT1/4		P	
Ambient temperature	-20°C~70°C			S
	-20°C~120°C			H
	-40°C~70°C			L

## Material of construction



No.	Title	Material	No.	Title	Material
1	Cover	ALDC12	9	Diaphragm lower	NBR
2	Ring	ALDC12	10	O-ring	NBR
3	Body	ALDC12	11	Shaft push	C3604BD
4	Mounting nut	STS	12	Seat	STS
5	Shaft adjust	STS	13	O-ring	NBR
6	Spring adjust	HSW3	14	Spring seat	STS
7	Ass'y diaphragm	STS/NBR	15	O-ring	NBR
8	O-ring	NBR	16	O-ring	NBR





## Solutions for control valve system

Tissin

티씬

201-905, No 397, Seokchen-ro, Ojeong-gu,  
Bucheon-si, Gyeonggi-do, Korea 14449

Tel : +82-1522-4460, Fax : +82-32-724-0602

[www.tissinkorea.com](http://www.tissinkorea.com)



Version: TS200EN\_9/2017

We reserve the right to make technical changes or modify  
the contents of this document without prior notice.

Copyright © 2017 Tissin  
All rights reserved.

Printed in Korea